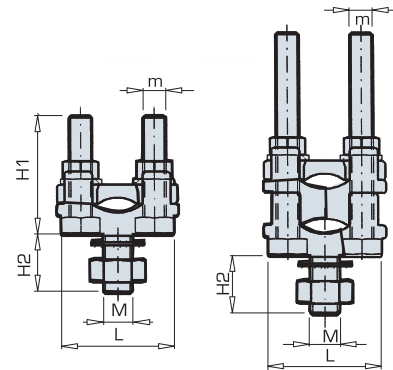
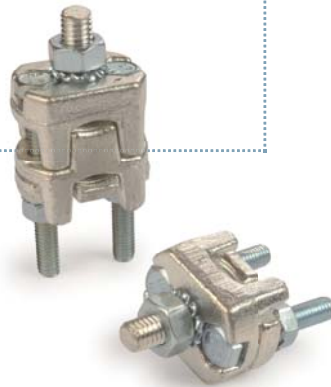


# STUDED CLAMPS

## Mod. TRF

### Turret bimetallic clamp

TRF and TRF/D bimetallic clamp manufactured from brass with tinplated finish to improve electrical contact. Suitable for electrical panel boards.



#### RANGE / DIMENSIONS OF PRODUCT

| Code   | Ref.                 | Ø Bar (mm) |      | Cable (mm <sup>2</sup> ) |      | Dimensions (mm) |      |    |    |    | Kg<br>x 100 | Bag | Box |
|--------|----------------------|------------|------|--------------------------|------|-----------------|------|----|----|----|-------------|-----|-----|
|        |                      | Max.       | Min. | Max.                     | Min. | H1              | H2   | L  | M  | m  |             |     |     |
| 200100 | <b>TRF-25/50</b>     | 10         | 3    | 50                       | 4    | 29              | 15,5 | 29 | 6  | 5  | 5,840       | -   | 50  |
| 200110 | <b>TRF-50/80</b>     | 12         | 4    | 95                       | 6    | 34              | 1,08 | 33 | 8  | 6  | 9,900       | -   | 30  |
| 200120 | <b>TRF-80/150</b>    | 16         | 7    | 150                      | 25   | 41              | 18,5 | 42 | 10 | 8  | 17,500      | -   | 20  |
| 200130 | <b>TRF-150/240</b>   | 20         | 10   | 240                      | 50   | 48              | 20,0 | 52 | 12 | 10 | 32,800      | -   | 10  |
| 200140 | <b>TRF/D-25/50</b>   | 10         | 3    | 50                       | 4    | 34              | 15,5 | 29 | 6  | 5  | 7,400       | -   | 40  |
| 200150 | <b>TRF/D-50/80</b>   | 12         | 4    | 95                       | 6    | 65              | 16,5 | 33 | 8  | 6  | 15,700      | -   | 20  |
| 200160 | <b>TRF/D-80/150</b>  | 16         | 7    | 150                      | 25   | 76              | 18,5 | 42 | 10 | 8  | 27,000      | -   | 15  |
| 200170 | <b>TRF/D-150/240</b> | 20         | 10   | 240                      | 50   | 88              | 20,0 | 52 | 12 | 10 | 57,000      | -   | 6   |