

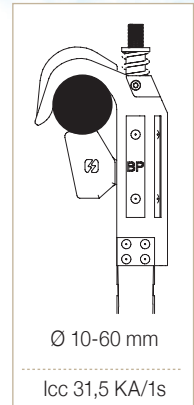
# Potential Lowering Equipment

## Earthing and Short - Circuit Equipment

SAFETY CATALOGUE



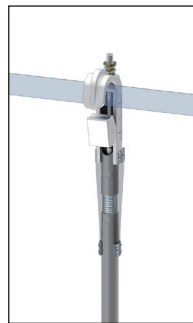
Potential lowering equipment for high-altitude connections



### Mod. PATC-BP

Equipment with intermediate BPGA potential drop clamp, with 3-m aluminium tube, allowing the earthing point to be transferred to facilitate manoeuvring.

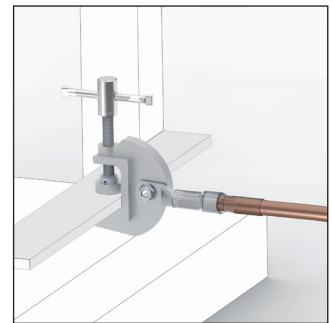
According to IEC 61230 standard.



**BPGA**  
Connection pole



**PA40/BP**  
High voltage clamp

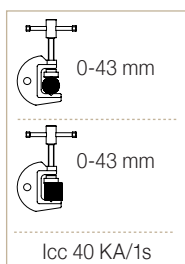
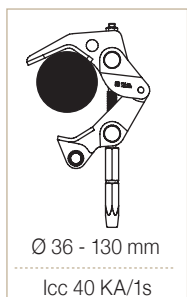


**TT-50**  
Earthing lathe



#### Composed of:

- 1 BPGA lowering potential drop clamp.
- 1 PA40/BP aluminium alloy clamp, screw tightening.  
For cylindrical conductors with diameters of between 10 and 60 mm.
- 1 copper cable with PVC insulation of 120 mm<sup>2</sup> section and length of 6 m.
- 1 TT-50 milling earthing lathe.
- 1 nylon bag to store and transport the equipment.



Code	Ref.	Cable section (mm <sup>2</sup> )	Length (m)	Short circuit current ICC Max.	Capacity Closing
672200	PATC-BP	120	6	31.5 KA/1s	Ø 10-60 mm
IEC 61230					