

Product Technical Specifications

PEP-ECO CLAMP

EQUIPOTENTIAL POLE CLAMP

Functionality

The main purpose of PEP-ECO clamps is to be used for grounding and short-circuiting of overhead networks with equipotential bonding of the working area.

Product Features

The PEP-ECO clamp consists of:

- A steel pole support allowing the connection of the earthing clamps.
- A tensioning body assembly allowing the pre-positioning of the parking assembly on the pole.
- A steel chain made of steel treated against corrosion and fixed to the pole support.

WEIGHT: 3.7 Kg





PEP-ECO CLAMP

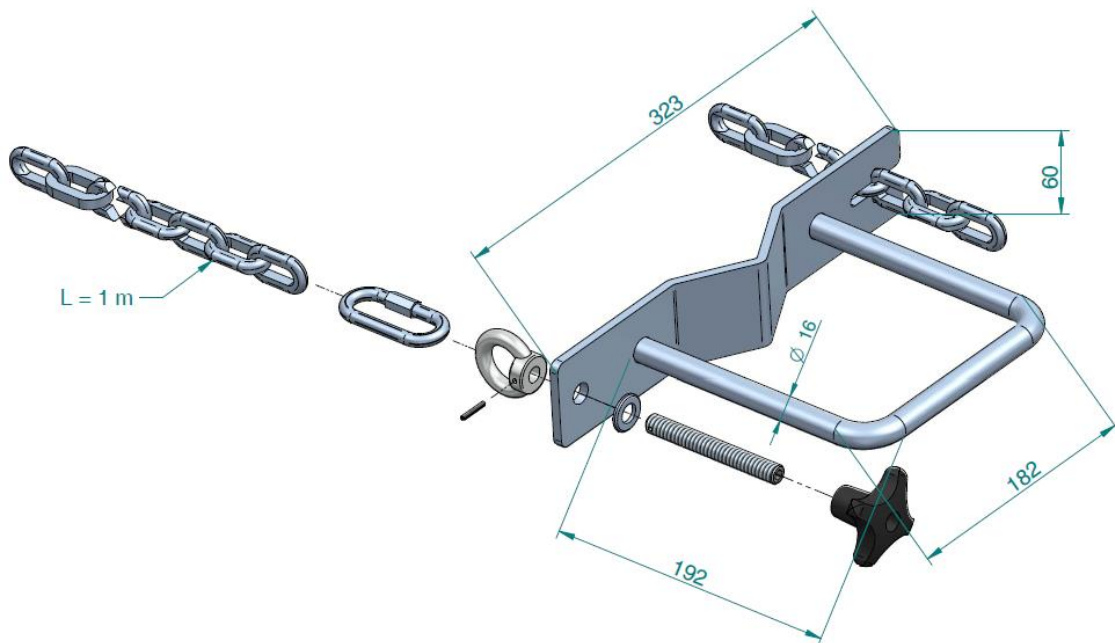
EQUIPOTENTIAL POLE CLAMP

Raw Material Characteristics

Body, hardware and chain: Steel

Cross knob: Reinforced black polyamide and stainless-steel bushing.

Technical drawings



Máx. Ø 400 mm



Mín. Ø 90 mm

Datos sujetos a cambios © 2017 Sofamel SLU
October 21, 2022 Todos los derechos reservados.

Versión: R2-7.2 COM01 Las especificaciones están sujetas a cambios sin previo aviso.