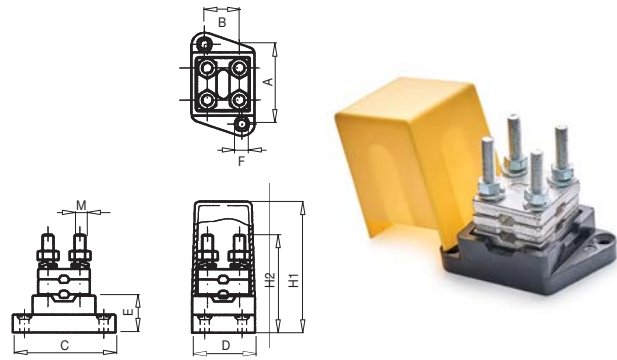


**Connections / Studded clamps**

# 10801 BEB

## Bimetallic clamp

BEB bimetallic clamps are manufactured from brass with a tin-plated surface finish. The base is made of bakelite, providing high temperature resistance.



Code	Ref.	Sections (mm <sup>2</sup> )		Dimensions (mm)									Kg x 100	Bag	Box
		Max.	Min.	A	B	C	D	E	F	H1	H2	M			
220100	<b>BEB-63</b>	70	70	42	22	56	34	20	4.0	63	53	6	16.200	-	12
220110	<b>BEB-95</b>	95	95	54	30	72	44	22	5.5	76	72	7	30.800	-	6
220120	<b>BEB-150</b>	150	150	66	40	84	54	25	5.5	87	82	7	45.600	-	3
220130	<b>BEB-240</b>	240	240	82	45	101	64	26	6.5	102	96	8	72.200	-	2