

sofamel

Product Technical Specifications

Mod. TRF

Polyamide ten pole trip block



Functionality

The TRF and TRF/D bimetallic terminals are made of brass with a tinned surface finish to improve electrical contact. Ideal for frame derivations electrical.

Material Characteristics:

Contact parts: FORGE BRASS

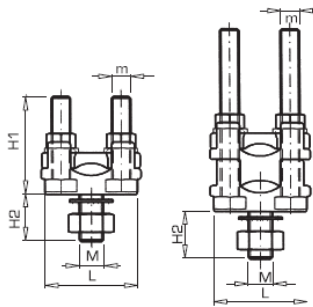
Screw parts in TREATED STEEL

Manufacturing

By HOT forge.

By laminating and decolating

Tinned by Copper plating



Dimensions

RANGO / DIMENSIONES DEL PRODUCTO										
Código	Ref.	Varilla		Cable		Dimensiones				
		Max.	Min.	Max.	Min.	H1	H2	L	M	m
200100	TRF-25/50	10	3	50	4	29	15,5	29	6	5
200110	TRF-50/80	12	4	95	6	34	1,08	33	8	6
200120	TRF-80/150	16	7	150	25	41	18,5	42	10	8
200130	TRF-150/240	20	10	240	50	48	20,0	52	12	10
200140	TRF/D-25/50	10	3	50	4	34	15,5	29	6	5
200150	TRF/D-50/80	12	4	95	6	65	16,5	33	8	6
200160	TRF/D-80/150	16	7	150	25	76	18,5	42	10	8
200170	TRF/D-150/240	20	10	240	50	88	20,0	52	12	10

Datos sujetos a cambios
2020, Mayo 25

© 2017 Sofamel SLU
Todos los derechos reservados.

Versión: R2-7.2 COM01

Las especificaciones están sujetas a cambios sin previo aviso.



Thomas Alva Edison, 16-17 - Pol. Industrial Plans d'Arau - 08787 La Pobla de Claramunt (Barcelona) - Spain
Tel. +34 93 808 79 80 - Info@sofamel.es

www.sofamel.com