

sofamel

Product Technical Specifications



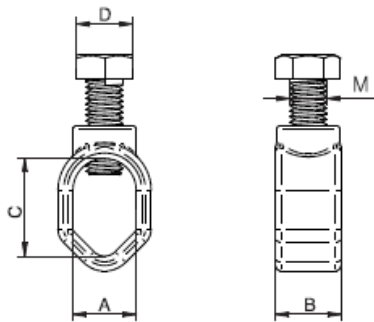
Mod. TGT142C Reinforced earthing rod clamp

Product Features

The Clamp made of brass and steel (copper and zinc alloy) and yellow zinc surface treatment steel to connect rod to earth rod cable.
Also galvanized steel screw.
The rod diameter to use is 14 mm and it could be used with different cable Sections.

Certificates

Test for Corrosion resistance following point 8.2.4 of Standard **UNE 202006:2010**.



Dimensions

TGT142C	Grapa cerrada / Closed Earthing rod	17	17,5	26	15	M10
Cod.	Ref.	A	B	C	D	R

Datos sujetos a cambios
2020, Mayo 19

© 2017 Sofamel SLU
Todos los derechos reservados.

Versión: R2-7.2 COM01

Las especificaciones están sujetas a cambios sin previo aviso.