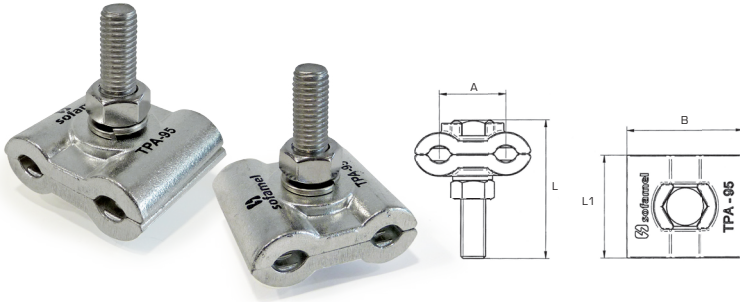


# Compression and Mechanical Clamps

CONNECTION CATALOGUE



## 155 TPA

Bolt-fastened compression clamp

TPA clamps are made from aluminium alloy with a 20 µ tinplated finish. M12 stainless steel hardware.

Code	Ref.	Section	Dimensions (mm)				Kg x 100	Bag	Box
			A	B	L	L1			
156100	TPA-95	2 x 95	33	57	68	50	18,48	1	10