

# sofamel

Product Technical Specifications

## Mod. CRS Compression clamp



### Product features

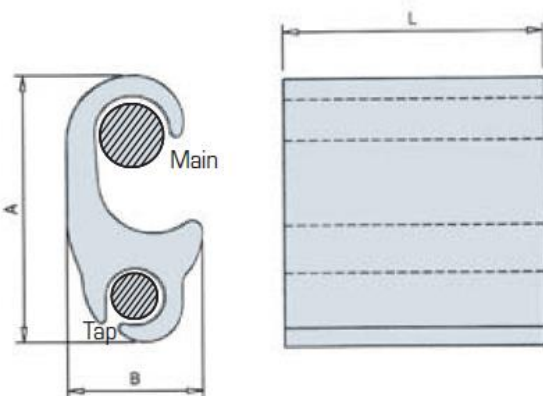
CRS are made of aluminium alloy of 99.5% or higher. Great versatility for different applications. Its function is to make a connection or bypass of aluminum conductors of different sections.

### Certificates

Manufactured following construction requirements from standard UNE 211024

Cable accessories. Elements of connection to be used in low and medium voltage underground distribution networks up to 18/30 (36) kV.

They comply with European Union Directive 2002/95/EC, restriction of certain Hazardous Substances (RoHS).

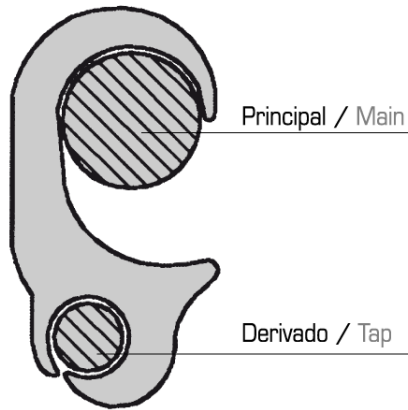




# Model CRS

## Compression clamp

### Section and dimensions



RANGO / DIMENSIONES DE PRODUCTO		RANGE / DIMENSIONS OF PRODUCT				Dimensiones (mm)			Kg	Bolsa	Caja	
Código	Ref.	Principal	Derivado				A	B	L	x 100		
		Máx.	Min.	Máx.	Min.							
Code	Ref.	Main	Tap				Dimensions (mm)			Kg	Bag	Box
		Max.	Min.	Max.	Min.	A	B	L	x 100			
151090	CRS-0	35	10	35	10	42,5	19,5	46,0	1,500	1	100	
151100	CRS-1	35	16	10	2,5	24,8	14,0	18,0	0,840	1	200	
151110	CRS-2	70	35	10	2,5	34,0	18,0	19,4	1,450	1	200	
151120	CRS-3	120	50	70	10	53,0	25,9	50,0	0,874	1	75	
151170	CRS-8	120	95	120	70	50,0	22,1	50,0	0,747	1	75	
151180	CRS-9	185	120	70	10	57,0	29,0	50,0	1,028	1	65	
151190	CRS-10	240	120	150	70	56,0	28,7	100,0	1,998	1	40	
151200	CRS-11	240	95	240	95	56,0	31,3	100,0	1,772	1	35	
151210	CRS-12	300	240	70	10	56,6	31,7	50,0	1,088	1	60	