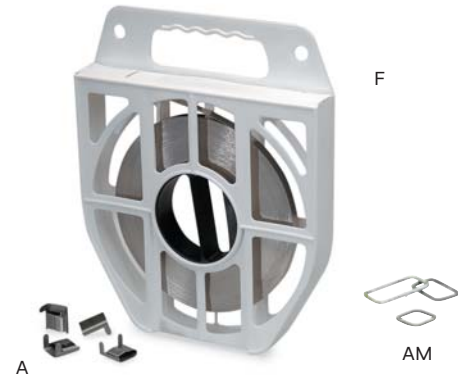


## 11109 F / A / AM

### Band and fittings

The Z12 CN 1707 stainless steel band and its accessories are primarily used to secure and fasten elements in various industrial and construction applications. It can be cut to the desired length and is used in combination with accessories such as closures and tensioning tools to secure loads or structures. It includes a dispenser that facilitates transport and handling.



Code	Ref.	Width x Thickness (mm)	Length (m)	x 1	Bag	Box
371100	F-104	10x0.4	50	1.600	-	1
371110	F-107	10x0.7	50	2.700	-	1
371120	F-204	20x0.4	50	3.400	-	1
371130	F-207	20x0.7	50	5.800	-	1

Code	Ref.	Width (mm)	x 1	Bag	Box
371140	A-100	10	0.500	100	-
371150	A-200	20	0.900	100	-

Code	Ref.	Dimensions (mm)	x 1	Bag	Box
371160	AM-25	25x25	1.400	100	-
371170	AM-40	25x40	1.900	100	-
371180	AM-60	25x60	2.450	100	-