

Mod. TT

NF C20-130 Tulip copper cable lug

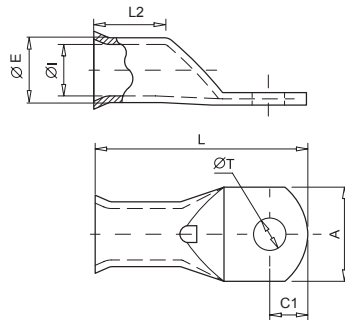
TT cable lug manufactured from electrolytic copper with a tinplated finish to improve electrical contact.

The tulip shape at the end of the barrel favours the introduction of the cable.

Electric test according to CEI 61238-1 standard.

Code	Ref.	Section (mm ²)		Dimensions (mm)							Kg x 100	Bag	Box
				ØE	ØI	L	ØT	A	C1	L2			
009120	TT-2,5/3*	2,5	3	4,0	2,2	12,25	3,2	8,0	4,5	6,0	0,133	100	1600
009130	TT-2,5/4*		4			17,50	4,2		5,0		0,137	100	1600
009140	TT-2,5/5*		5			19,00	5,2		6,5		0,150	100	1600
009170	TT-4/4*	4	4	5,0	2,7	25,70	4,3	9,0	6,2	8,7	0,308	100	1400
009180	TT-4/5*		5			25,70	5,3		9,0		0,292	100	1400
009190	TT-4/6*		6			25,70	6,5		12,0		0,274	100	1400
009220	TT-6/5*	6	5	5,5	3,3	31,50	5,3	13,0	8,0	10,7	0,243	100	1200
009230	TT-6/6*		6			31,50	6,5		8,0		0,360	100	1000
009240	TT-6/8*		8			31,50	8,3		8,0		0,344	100	1000
009260	TT-10/5	10	5	6,8	4,3	30,50	5,3	12,0	6,5	12,0	0,345	100	800
009270	TT-10/6		6			30,50	6,5		6,5		0,598	100	800
009280	TT-10/8		8			37,00	8,5		15,0		0,485	100	600
009290	TT-10/10		10			41,00	10,5		16,0		0,573	100	400
009320	TT-16/6	16	6	8,0	5,3	33,30	6,5	12,0	6,3	14,0	0,702	100	500
009330	TT-16/8		8			37,50	8,5		8,5		0,712	100	500
009340	TT-16/10		10			41,50	10,5		16,0		0,752	100	400
009360	TT-25/6	25	6	9,5	6,6	36,30	6,5	13,0	6,3	15,0	0,874	50	300
009370	TT-25/8		8			42,00	8,5		18,0		1,022	50	300
009380	TT-25/10		10			46,00	10,5		18,0		1,139	50	250
009410	TT-35/6	35	6	11,0	7,9	39,50	6,5	15,0	7,5	17,0	1,202	50	200
009420	TT-35/8		8			44,00	8,5		17,0		1,591	50	200
009430	TT-35/10		10			49,00	10,5		17,0		1,592	50	200
009500	TT-50/6	50	6	12,5	9,2	42,50	6,5	18,0	7,5	19,0	1,663	50	140
009510	TT-50/8		8			47,00	8,5		18,0		2,109	20	140
009520	TT-50/10		10			52,00	10,5		12,0		2,264	20	140
009570	TT-70/8	70	8	15,0	11,0	51,00	8,5	21,0	10,0	21,0	2,241	20	100
009580	TT-70/10		10			55,00	10,5		21,0		3,357	20	80
009590	TT-70/12		12			59,00	13,0		22,0		3,449	20	80

* Without tulipe.



Mod. TT

NF C20-130 Tulip copper cable lug

TT cable lug manufactured from electrolytic copper with a tinned finish to improve electrical contact.

The tulip shape at the end of the barrel favours the introduction of the cable.

Electric test according to CEI 61238-1 standard.

Code	Ref.	Section (mm ²)		Dimensions (mm)						Kg x 100	Bag	Box	
				ØE	ØI	L	ØT	A	C1				L2
009630	TT-95/8	95	8	17,0	13,1	56,00	8,5	25,0	10,0	22,0	3,603	20	60
009640	TT-95/10		10			60,00	10,5				4,518	20	60
009650	TT-95/12		12			62,00	13,0				4,292	20	60
009660	TT-95/14		14			66,50	15,0				4,354	20	60
009670	TT-95/16		16			70,00	16,0				4,714	20	60
009700	TT-120/10	120	10	19,0	14,5	64,0	10,5	27,5	12,0	26,0	4,630	10	50
009710	TT-120/12		12			66,0	13,0				6,544	10	50
009720	TT-120/14		14			69,5	15,0				5,972	10	50
009730	TT-120/16		16			72,0	17,0				6,198	10	50
009750	TT-150/10		10			71,0	10,5				6,180	10	40
009760	TT-150/12	150	12	21,0	16,2	73,0	13,0	30,0	15,0	30,0	8,578	10	40
009770	TT-150/14		14			73,0	15,0				8,069	10	40
009780	TT-150/16		16			75,0	17,0				7,865	10	40
009810	TT-185/12		12			81,0	13,0				10,255	10	40
009820	TT-185/14	185	14	23,0	18,0	85,0	15,0	33,5	16,0	32,0	11,510	10	30
009830	TT-185/16		16			87,0	17,0				10,596	10	30
009860	TT-240/12	240	12	26,0	20,6	93,5	13,0	38,0	21,5	35,0	14,383	5	25
009870	TT-240/14		14			93,5	15,0				15,756	5	20
009880	TT-240/16		16			93,5	17,0				14,240	5	25
009890	TT-240/20		20			93,5	21,0				14,935	5	15
009910	TT-300/14		14			102,0	15,0				17,571	5	10
009920	TT-300/16	300	16	28,0	23,0	102,0	17,0	41,0	19,0	44,0	16,270	5	10
009930	TT-300/20		20			106,0	21,0				17,531	5	10
009950	TT-400/16	400	16	32,0	26,0	115,0	17,0	46,5	19,0	44,0	26,819	4	8
009960	TT-400/20		20			118,0	21,0				27,129	4	8