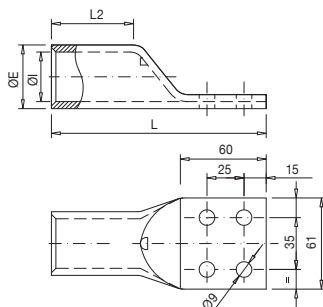


# Copper Connectors

## Connections



### 10106 T4H

#### Copper cable lug with 4 holes palm

The T4H copper cable lug with 4 holes palm is manufactured from electrolytic copper with a tin-plated surface finish to improve electrical contact.

Code	Ref.	Section (mm <sup>2</sup> )	Dimensions (mm)				Kg x 100	Bag	Box
			ØE	ØI	L	L2			
001100	T-185/4H	185	23.7	18.8	124.0	46.0	14.924	1	30
001110	T-240/4H	240	26.2	21.2	128.0	48.0	17.328	1	15
001120	T-300/4H	300	28.6	23.4	133.0	50.0	21.280	1	15
001130	T-400/4H	400	32.8	26.8	134.0	50.0	28.570	1	10
001140	T-500/4H	500	38.4	29.8	139.0	54.0	51.860	1	8
001150	T-630/4H	630	44.7	34.5	145.0	60.0	76.075	1	4
001160	T-800/4H	800	52.0	40.0	160.0	70.0	115.175	1	3