

# sofamel

Product Technical Specifications

## Mod. TD

### Copper cable lug



### Functionality

Copper cable lug for connections of electrical circuits. They are used in a wide range of sections, both for flexible and rigid copper cables in underground distribution networks. These terminals must be crimped by half punching compression.

### Product Features

Manufactured with welded electrolytic copper strip with tinned surface finish to improve electrical contact and prevent oxidation.

These copper cable lugs are suitable for indoor and outdoor installations if any possible water inlet is sealed by tape or heat shrink, as could be the inspection hole and / or the remaining separation between terminal and cable once crimped.

## Mod. TD

### Copper cable lug

The Sofamel cable lugs are marked with the Sofamel logo and the section and the ØT.

The sections of this product can be from **1,5 hasta 240 mm<sup>2</sup>** and the blade drill can have measures **3 a 16 mm**.

### Raw Material Features

#### COPPER

Type of copper: **Electrolytic welded copper strip.**

Specific gravity: **8.95 gr/cm<sup>3</sup>.**

Conductivity at 20°C: **58.14 Siemens x m/mm<sup>2</sup>.**

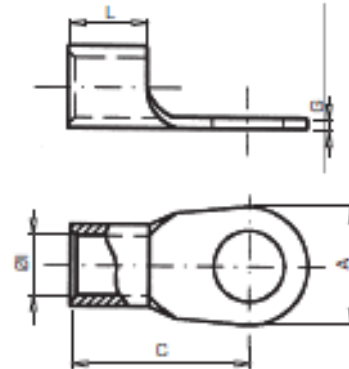
Resistivity at 20°C: **0.0172 Ohms x mm<sup>2</sup>/m.**

Surface treatment: **tin bath 3µ thick.**

### Certified

Manufactured according to the standard **DIN 46234.**

#### CE Certified



### Dimensions:

Código	Ref.	Sección (mm <sup>2</sup> )		Dimensiones (mm)					Kg x 100	Bolsa	Caja
				ØI	L	A	C	G			
020100	TD-1,5/3	1,5	3	1,6	5,0	6,0	11,0	0,8	0,055	100	4000
020110	TD-1,5/4		4			8,0	12,0		0,070	100	3500
020120	TD-1,5/5		5			10,0	13,0		0,084	100	3000
020130	TD-2,5/3	2,5	3	2,3	5,0	6,0	11,0	0,8	0,064	100	3000
020140	TD-2,5/4		4			8,0	12,0		0,077	100	3000
020150	TD-2,5/5		5			10,0	14,0		0,080	100	2000
020160	TD-2,5/6		6			11,0	16,0		0,110	100	2000
020170	TD-2,5/8	8	14,0	17,0	0,135	100	2000				
020180	TD-6/4	6	4	3,6	6,0	8,0	14,0	1,0	0,139	100	800
020190	TD-6/5		5			10,0	15,0		0,157	100	800
020200	TD-6/6		6			11,0	16,0		0,168	100	800
020210	TD-6/8		8			14,0	19,0		0,213	100	600
020220	TD-6/10		10			18,0	21,0		0,279	100	600
020230	TD-10/5		5			11,0	16,0		0,229	100	600
020240	TD-10/6	10	6	4,5	8,0	11,0	17,0	1,1	0,240	100	600
020250	TD-10/8		8			14,0	20,0		0,290	100	600
020260	TD-10/10		10			18,0	21,0		0,349	100	500
020270	TD-10/12		12			22,0	23,0		0,414	100	400
020280	TD-16/5		5			10,0	20,0		0,406	100	600
020290	TD-16/6	16	6	5,8	10,0	11,0	20,0	1,2	0,381	100	600
020300	TD-16/8		8			14,0	22,0		0,425	100	600
020310	TD-16/10		10			18,0	24,0		0,502	100	500
020320	TD-16/12		12			22,0	26,0		0,600	100	400
020330	TD-25/6	25	6	7,5	11,0	12,0	25,0	1,5	1,400	50	300
020340	TD-25/8		8			16,0	25,0		1,480	50	300
020350	TD-25/10		10			18,0	26,0		1,560	50	300
020360	TD-25/12		12			22,0	31,0		1,920	50	200
020370	TD-25/16		16			28,0	35,0		2,320	50	200
020380	TD-35/6		6			15,0	26,0		1,920	50	200
020390	TD-35/8	35	8	9,0	12,0	26,0	26,0	1,6	1,920	50	200
020400	TD-35/10		10			18,0	27,0		2,040	50	200
020410	TD-35/12		12			22,0	31,0		2,360	50	200
020420	TD-35/16		16			28,0	36,0		2,880	50	200



## Mod. TD

### Copper cable lug

Código	Ref.	Sección (mm²)		Dimensiones (mm)					Kg x 100	Bolsa	Caja
				ØI	L	A	C	G			
020430	TD-50/6	50	6	11,0	16,0	18,0	34,0	1,8	1,760	25	150
020440	TD-50/8		8			18,0	34,0		1,720	25	150
020450	TD-50/10		10			18,0	34,0		1,680	25	150
020460	TD-50/12		12			22,0	36,0		1,840	25	150
020470	TD-50/16		16			28,0	40,0		2,120	25	100
020480	TD-70/6	70	6	13,0	18,0	22,0	38,0	2,0	2,600	10	80
020490	TD-70/8		8			22,0	38,0		2,600	10	80
020500	TD-70/10		10			22,0	38,0		2,600	10	80
020510	TD-70/12		12			22,0	38,0		2,600	10	80
020520	TD-70/16		16			22,0	38,0		2,600	10	80
020530	TD-95/8	95	8	15,0	20	24,0	42,0	2,5	4,100	10	60
020540	TD-95/10		10			24,0	42,0		4,100	10	60
020550	TD-95/12		12			24,0	42,0		4,000	10	60
020560	TD-95/16		16			28,0	44,0		4,100	10	60
020570	TD-120/8		8			24,0	44,0		5,600	10	60
020580	TD-120/10	120	10	16,5	22	24,0	44,0	3,0	6,200	10	60
020590	TD-120/12		12			24,0	44,0		5,400	10	60
020600	TD-120/16		16			28,0	48,0		5,700	10	40
020610	TD-150/10		10			30,0	50,0		8,400	5	30
020620	TD-150/12	150	12	19,0	24	30,0	50,0	3,2	8,600	5	25
020630	TD-150/16		16			30,0	50,0		7,700	5	20
020640	TD-185/10		10			36,0	50,0		11,100	5	20
020650	TD-185/12	185	12	21,0	28	36,0	50,0	3,5	10,800	5	20
020660	TD-185/16		16			36,0	50,0		10,700	5	20
020670	TD-240/10	240	10	23,5	32	38,0	56,0	4,0	15,200	5	20
020680	TD-240/12		12			38,0	56,0		15,000	5	20
020690	TD-240/16		16			38,0	56,0		14,700	5	15

Datos sujetos a cambios  
1 de julio de 2024

© 2017 Sofamel SLU  
Todos los derechos reservados.

Versión: R2-7.2 COM01

Las especificaciones están sujetas a cambios sin previo aviso.