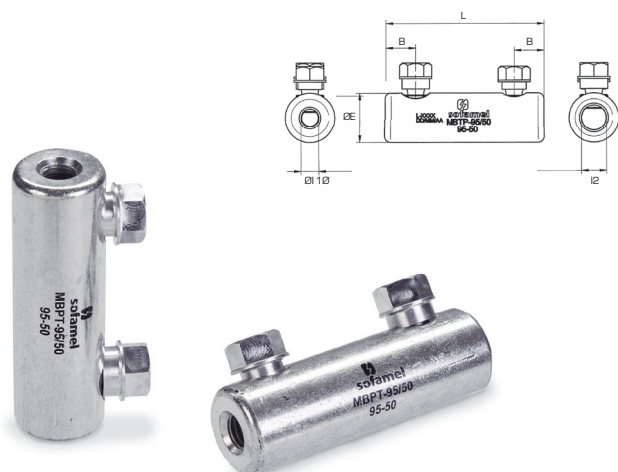


# Shear Head Bolt Connectors

CONNECTION CATALOGUE



## 104 MBPT-95/50 Shear head bolt connector

Bimetallic earthing connector for 95 mm<sup>2</sup> aluminium to 50 mm<sup>2</sup> aluminium sections.

Recommended for subterranean networks not subject to mechanical traction.

Installation by tightening shear bolt.

High-strength aluminium alloy connector.

With 20µ tinplated finish.

For bimetallic use.

Code	Ref.	Section		Dimensions (mm)					Kg x 100	Bag	Box
		Al	Al	ØE	ØI1	ØI2	L	B			
101210	MBPT-95/50	95	50	25	9	12,6	80	15	10,300	1	75