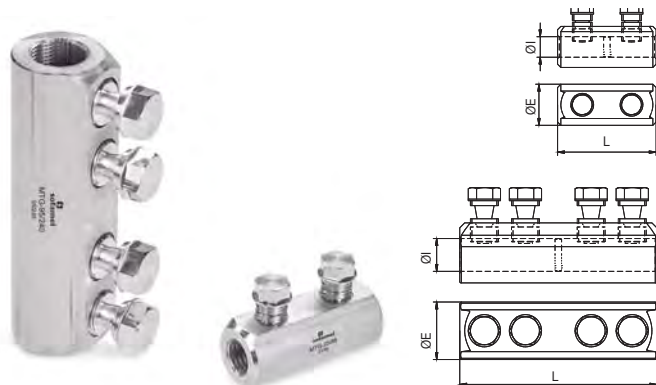


Shear Head Bolt Connectors

Connections







10202 MTG

Shear head bolt connector

MTG connector manufactured from high conductivity aluminium.

Shear head bolts are designed to be broken by suitable torque as per conductor section, being perfectly flush against the connector wall, 15 µ tinned surface finish giving a greater protection against corrosion.

According to UNE 211024-3 standard.

Code	Ref.	Section		Dimensions (mm)			 x 100	 Bag	 Box
				ØE	ØI	L			
101204	MTG-25/95	25 to 95	2	25	12.5	60	9.000	1	-
101200	MTG-95/240	95 to 240	4	35	20	120	21.800	1	40
101201	MTG-240/400	240 to 400	6	42	26	170	60.180	1	-
101202	MTG-500/630	500 to 630	6	52	33	200	88.810	1	-
101203	MTG-630/1000	630 to 1000	8	65	41	220	151.250	1	-