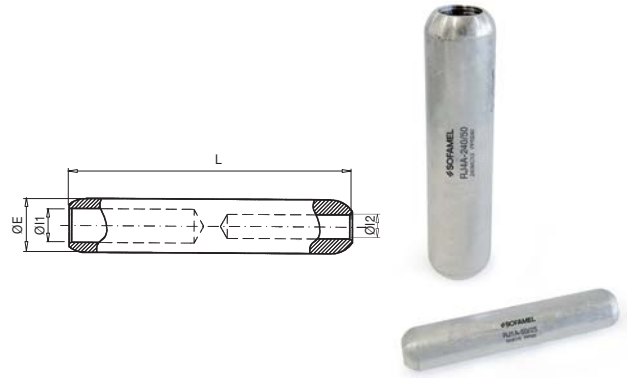


Connections / Aluminium connectors

10305 RJA

Reducer aluminium joint

RJA reducing butt connectors are manufactured from aluminium tubing with a purity of 99.5% or higher. They incorporate a stop that divides the connector into two distinct sections and facilitates the centring of the conductors. Each end is filled with neutral conductive grease to prevent oxidation and ensure optimal electrical contact. Designed for Al-Al or Al-Cu connections, the aluminium conductor is always inserted into the larger section and the copper conductor into the smaller section. The ends must be properly sealed to prevent moisture or contaminants from causing oxidation.



Code	Ref.	Al section (mm ²)		Dimensions (mm)				Kg x 100	Bag	Box
		1	2	ØE	ØI1	ØI2	L			
100100	RJ1A-50/25	50	25	20	9.0	6.5	106.5	7.450	1	125
100140	RJ1A-95/50	95	50	20	12.5	9.0	106.5	6.340	1	125
100150	RJ2A-150/50	150	50	25	15.5	9.0	133.0	11.880	1	90
100160	RJ2A-150/95	150	95	25	15.5	12.5	133.0	10.900	1	90
100165	RJ4A-240/50	240	50	32	19.5	9.0	143.5	21.030	1	50
100170	RJ4A-240/95	240	95	32	19.5	12.5	143.5	20.080	1	50
100180	RJ4A-240/150	240	150	32	19.5	15.5	143.5	19.010	1	50

* Consult for other sizes.