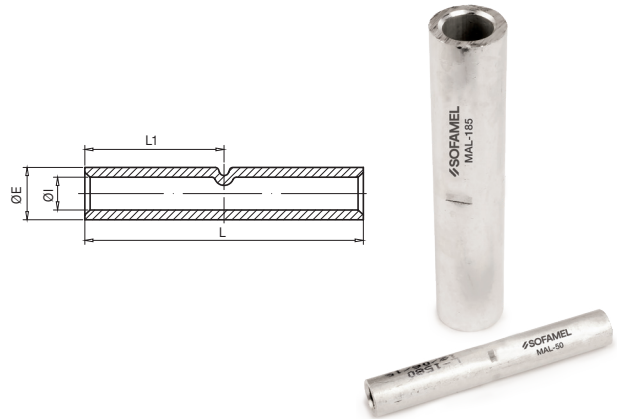


10301 MAL

DIN aluminium butt-connector

MAL butt connectors are manufactured from aluminium tubing with a purity of 99.5% or higher. They feature a central stop that divides the connector into two equal parts. Neutral grease is applied internally to prevent aluminium oxidation.

According to DIN 46267 standard.



Code	Ref.	Section (mm ²)	Dimensions (mm)				Kg x 100	Bag	Box
			ØE	ØI	L	L1			
080100	MAL-25	25	12.0	6.8	70.0	35.0	1.880	1	250
080110	MAL-35	35	14.0	8.2	85.0	42.5	2.660	1	200
080120	MAL-50	50	16.0	9.8	85.0	42.5	2.840	1	200
080130	MAL-70	70	18.5	11.2	105.0	52.5	3.700	1	100
080140	MAL-95	95	22.0	13.2	105.0	52.5	4.700	1	100
080150	MAL-120	120	23.0	14.7	105.0	52.5	9.200	1	90
080160	MAL-150	150	25.0	16.5	125.0	62.5	12.300	1	60
080170	MAL-185	185	28.5	18.5	125.0	62.5	13.800	1	60
080180	MAL-240	240	32.0	21.3	145.0	72.5	18.800	1	50
080190	MAL-300	300	34.0	23.6	145.0	72.5	25.000	1	50