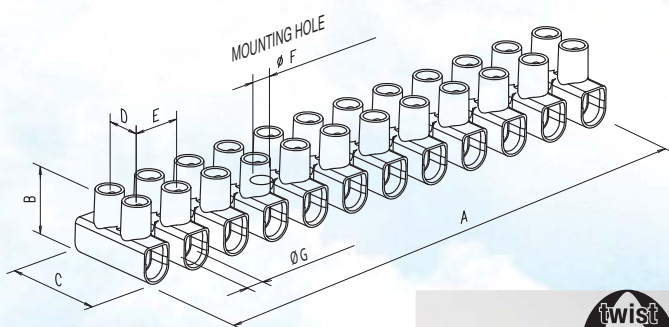


# Terminals strips

# SKL

- New polypropylene terminal strip **CE**
- Easy to divide
- Have  AENOR certificate mark



## 10804 SKL Terminal strip

SKL terminal strip manufactured from polypropylene with additives.  
In accordance to RoHs standard.



In accordance to 60998-1 standard and EN 60998-2-1 standard and all main european certificate.

Code	Ref.	Colour	Section (mm <sup>2</sup> )	Metrics	Dimensions (mm)							Kg x 100	Bag	Box
					A	B	C	ØG	E	D	ØF			
315350	SKL-4	◇	4	M2.6	94.9	13.0	16.6	3.2	8.1	6.4	2.6	19.0	10	500
315360	SKL-6	◇	6	M3.0	116.5	14.9	18.9	3.6	10.0	7.3	3.4	26.5	10	250
315370	SKL-10	◇	10	M3.5	133.8	17.3	23.4	4.3	11.5	10.0	3.7	43.6	10	250
315380	SKL-16	◇	16	M4.0	174.5	20.7	25.0	5.5	15.0	11.0	4.9	76.8	10	100
315390	SKL-25	◇	25	M5.0	187.3	28.0	30.0	7.0	16.0	11.5	4.5	116.0	10	50
315400	SKL-35	◇	35	M5.0	211.0	29.6	36.4	8.0	18.0	15.0	4.5	174.6	10	50
315410	SKL-4N	◆	4	M2.6	94.9	13.0	16.6	3.2	8.1	6.4	2.6	19.0	10	500
315420	SKL-6N	◆	6	M3.0	116.5	14.9	18.9	3.6	10.0	7.3	3.4	26.5	10	250
315430	SKL-10N	◆	10	M3.5	133.8	17.3	23.4	4.3	11.5	10.0	3.7	43.6	10	250
315440	SKL-16N	◆	16	M4.0	174.7	20.7	25.0	5.5	15.0	11.0	4.9	76.8	10	100
315450	SKL-25N	◆	25	M5.0	187.3	28.0	30.0	7.0	16.0	11.5	4.5	116.0	10	50
315460	SKL-35N	◆	35	M5.0	211.0	29.6	36.4	8.0	18.0	15.0	4.5	174.6	10	50