

sofamel

Product Technical Specifications



Mod. D-TUERI EXPERT

Omnidirectional electric field personal voltage detector

Functionality

Additional security element for individual use. The function of this personal detector is to warn the operator when approaching an electric field, to be able to foresee accidents.

Its use is for distribution centers, transformation centers and airlines.

Product Features

The presence of voltage is indicated by a sustained acoustic signal, until it does not move away from the voltage source, the signal does not cease.

Climatic category N, climatic conditions of use and storage, temperature from -25°C to $+55^{\circ}\text{C}$, humidity from 20% to 96%.

Weight: 80g.





Mod. D-TUERI EXPERT

Omnidirectional electric field personal voltage detector

Electric Features

The voltage range of the detector is from 10 to 66 kV, and it exceeds an approximate distance of 1m for 10 kV and 3m for 66 kV.

Operating frequency: 50 and 60 Hz.

It has a system of self-verification through a test button.

The device consists of a battery check system.

Power supply: Li ion 3.7V 1050mAh battery, charged by USB (Type C).

It has a flashlight.

Climatic category of use:

- Temperature from -25°C to + 55°C.
- Humidity from 20 to 96%.

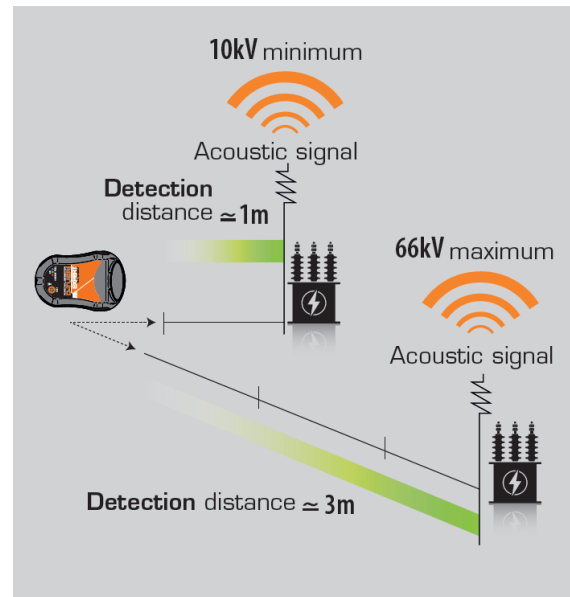
Certified

According to the Standard:

The assembly (The Detector with the Helmet) complies with the safety requirements established in the standard EN 397 + A1: 2012, guaranteed by the tests carried out in APAVE SUDEUROPE SAS PPE Testing and Certification Center (Test Report n ° 17.0392).

Are in accordance with the European Directive UE 2016/425 (to personal protective equipment), applying the ELECTROMAGNETIC COMPATIBILITY standards (EC directive 2014/30/UE about Electromagnetic compatibility). **(Test pending to be done).**

Degree of IP protection IP65. **(Pending testing)**

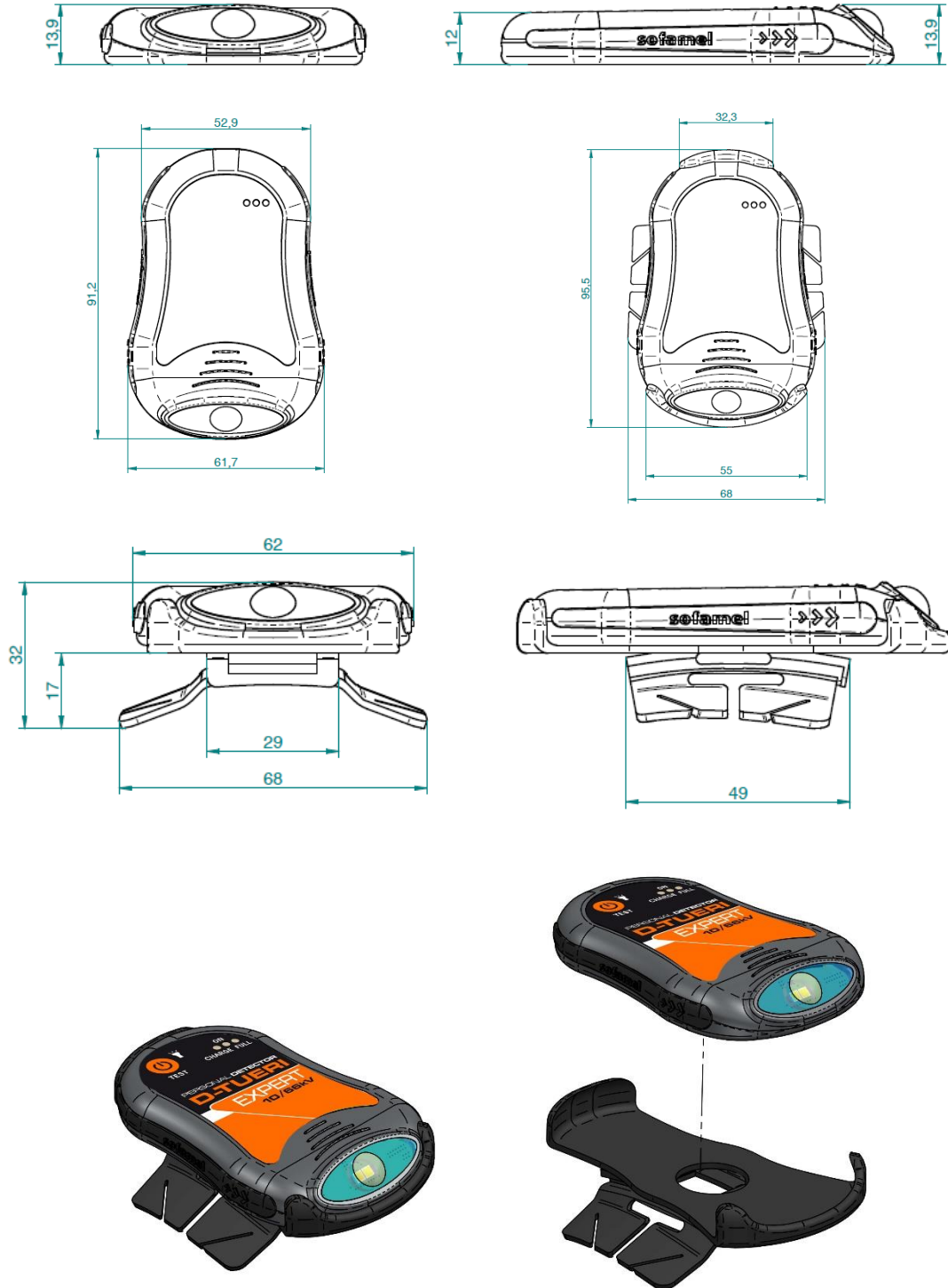




Mod. D-TUERI EXPERT

Omnidirectional electric field personal voltage detector

Dimensions and technical draws



Datos sujetos a cambios
2020, Julio 21

Versión: R2-7.2 COM01

© 2017 Sofamel SLU
Todos los derechos reservados.

Las especificaciones están sujetas a cambios sin previo aviso.



C/ Thomas Edison, 17 - Pol. Industrial Plans d'Arau - 08787 La Pobla de Claramunt (Barcelona) - Spain
Tel. +34 93 808 79 80 - Fax +34 93 808 77 00 - Info@sofamel.es
www.sofamel.com