

sofamel

Technical Product Specifications

Model D-TUERI PRO 25kV

Omnidirectional personal electric field detector for the railway sector

Functionality

Additional individual safety element. This personal detector alerts the operator when approaching an electric field, helping to prevent accidents. It is designed to be used in repair and maintenance work on high-speed rail installations operating with 25 kV AC (alternating current).



Product Features

The presence of voltage is indicated by a continuous acoustic signal of 85dB which persists until the source of voltage is distanced.

Climate category N, climatic conditions for use and storage, temperature from -25°C to +55°C, humidity from 20% to 96%.

Weight: 80g.

D-TUERI PRO 25 KV

Electrical Characteristics

The detector's voltage range is 25 kV and covers an approximate distance of 2 m.

Operating frequency: 50 and 60 Hz.

It has a self-verification system via a test button.

The device includes a battery check system.

Power source: Li-ion battery 37V 1050mAh, charged via USB (USB type C).

It has a flashlight.

Usage climate category:

Temperature from -25°C to +55°C.

Humidity from 20% to 96%.



Certificates

The assembly (Detector with Helmet) meets the safety requirements established in the EN 397 + A1: 2012 standard, guaranteed by tests performed at APAVE SUDEUROPE SAS PPE Testing and Certification Center (Test report No. 17.0392).

They comply with the provisions established in EU DIRECTIVE 2016/425, having applied the requirements set in the ELECTROMAGNETIC COMPATIBILITY regulations (Directive 2014/30/EU on Electromagnetic Compatibility).

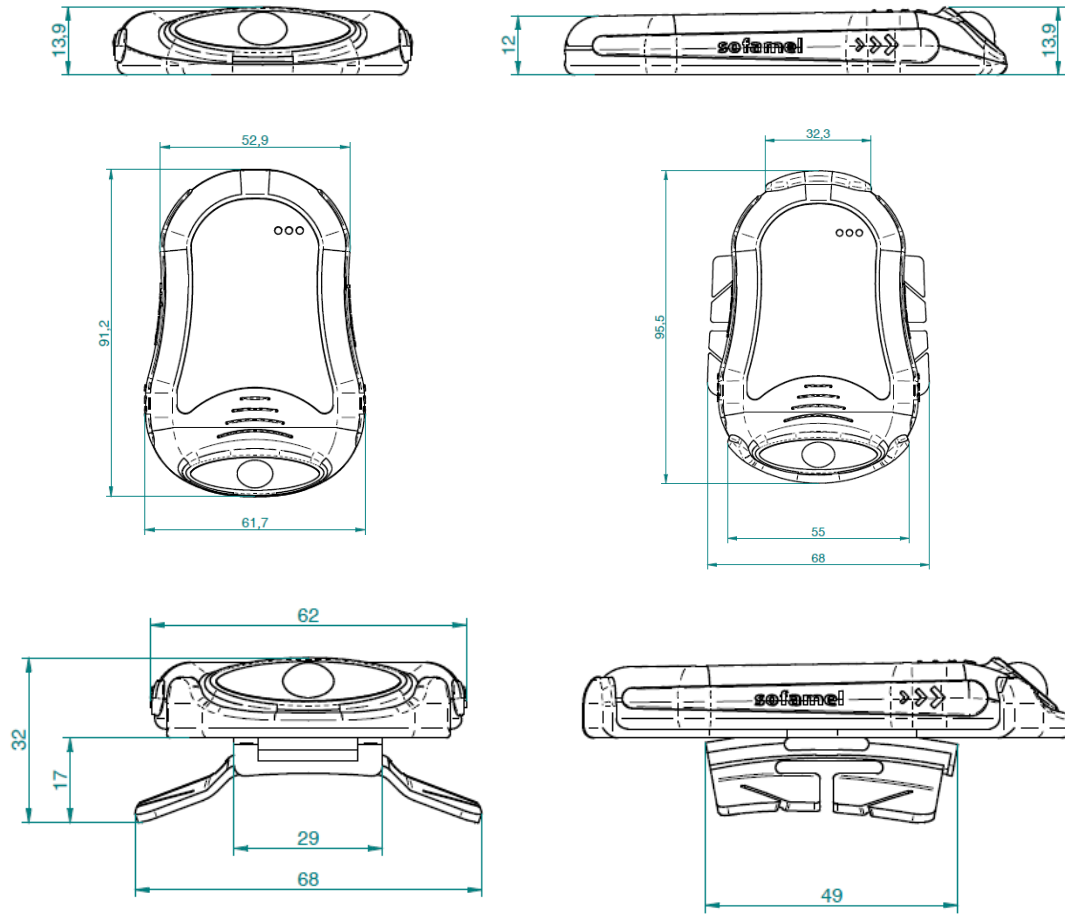
Protection rating IP65.

EN 61000-6-2-2:2005 +AC:2005 - Electromagnetic compatibility (EMC) - Part 6-2: Generic standards - Immunity in industrial environments.

EN 61000-6-4-4:2007+A1:2011 - Electromagnetic compatibility (EMC) - Part 6-4: Generic standards - Immunity in industrial environments. Part 6-4: Generic standards. Emission standard in industrial environments

D-TUERI PRO 25 KV

Dimensions



Datos sujetos a cambios
19 de julio de 2024

Versión: R2-7.2 COM01

Thomas Alva Edison, 16-17 - Pol. Industrial Plans d'Arau - 08787 La Pobla de Claramunt (Barcelona) - Spain
Tel. +34 93 808 79 80 - Info@sofamel.es
www.sofamel.com

© 2017 Sofamel SLU
Todos los derechos reservados.

Las especificaciones están sujetas a cambios sin previo aviso.