

sofamel

Product Technical Specifications

Model ME-60S

Universal Fuse extractor handle for NH/NT fuses (sizes 000, 00, 0, 1, 2, 3, 4, 4a)



Functionality

The ME-60S handle is used to mount or dismount fuses or other parts, such as grounding equipment components and short circuit protection devices, fuse components, etc.

Hands and lower arms are protected from injury when removing live fuses.

Accidents in the extraction of live fuses show that there is a very high risk of electric arc, therefore, the extractor handle must always be used in this type of operations. A face shield or arc-protective glasses should also be worn.

Product characteristics

The fuse extractor handle is suitable for extracting NH TYPE FUSES of size 00-4.

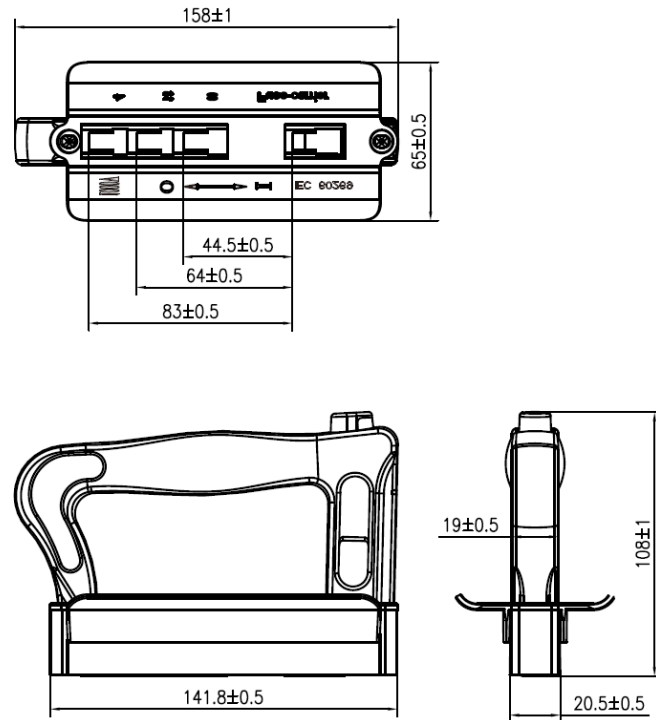
IT IS SUPPLIED ASSEMBLED IN A SYNTHETIC LEATHER COVER.

The ME-60S fuse extractor handle complies with the IEC60269-2 standard and has the double triangle mark.

Model ME-60S

Universal Handle Fuse Extractor

Handle dimensions



Warnings of use

- The installation or replacement of NH fuses must be carried out by qualified personnel.
- The extraction handle should not be left permanently anchored to the fuse. The handle should only be used to install and replace the fuse.
- It is mandatory to use additional safety components, such as protective glasses/screens and safety clothing.
- Before using the fuse extractor handle, make sure it is in good condition, as well as the rest of the safety components.
- Do not use under load!

Certificates

IEC 60269-2 Low voltage fuses. Part 2: Supplementary rules for fuses intended for use by authorized persons.

Voltage range: 1000 V AC/DC.

CE marking.