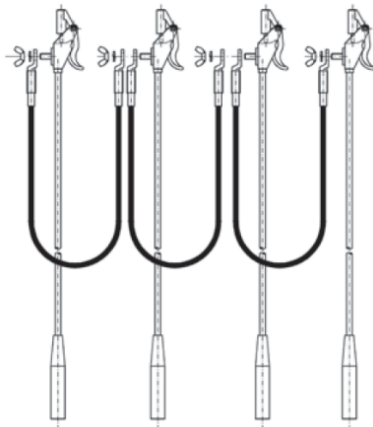


# sofamel

Product Technical Specifications

## ELBT-CC

Earthing and short-circuit equipment  
– Low voltage overhead lines



## Functionality

Earthing and short-circuit kit for low-voltage distribution boards. The main reason for their installation is to protect the worker from accidental power-on or return of voltage during repair work.

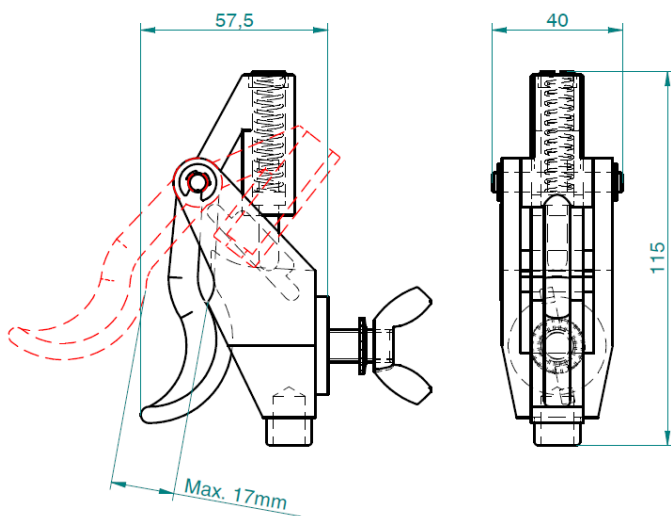


## ELBT-CC

### Earthing and short-circuit equipment – Low voltage overhead lines

#### Product Features

The ELBT clamp is fixed on the exposed conductor by supporting the clamp on it and exerting a downward pressure. The clamp mechanism guarantees permanent and firm contact.



#### Composed of

- 4 ELBT spring clamps with 70 cm poles for cylindrical conductors with diameter between 3 and 18 mm.
- 3 copper cables with PVC insulation of 16 mm<sup>2</sup> section and 0,6 m long.
- 1 nylon bag to store and transport the equipment.

#### Certified

For the manufacture of this equipment is taken as a reference Standard **UNE-EN 61230**.



PEBT