

sofamel

Product Technical Specifications

Mod. MC CLAMP

Clamps for earthing and short-circuit equipment

Functionality

The main objective of the grounding clamps is to ensure good connectivity between the voltage lines in discharge and the grounding connection.

Product Features

The MC clamp is fixed to the exposed conductor by means of pressure and is extracted by means of a recovery hook. Designed for cylindrical conductors with a diameter between 3 and 20 mm.





Mod. MC CLAMP

Clamps for earthing and short-circuit equipment

Raw Material Features

BODY

High purity aluminum (99.5% or more)

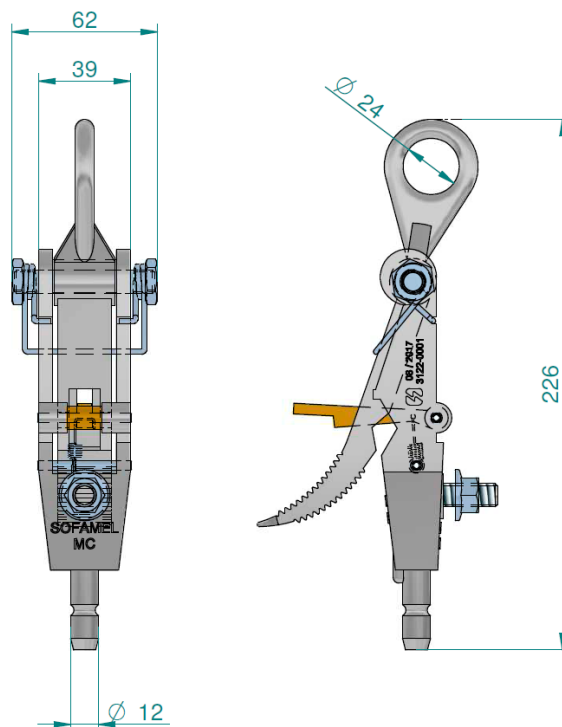
SCREWS

Steel

Certified

Performed tests (complete grounding equipment) under the **IEC 61230** standard.

Technical planes



Datos sujetos a cambios
2017, Mayo 2

Versión: R2-7.2 COM01

© 2017 Sofamel SLU
Todos los derechos reservados.

Las especificaciones están sujetas a cambios sin previo aviso.