



Product Technical Specifications

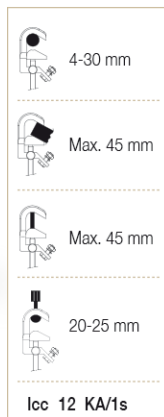
Mod. MPUP CLAMP

Clamps for earthing and short-circuit equipment

Functionality

The main objective of the grounding clamps is to ensure good connectivity between the voltage lines in relief and the grounding connection.

The MPUP clamp (carrier) facilitates the hoisting and positioning of the three clamps at the same time reducing considerably the installation time.



Product Features

The MPUP aluminum alloy clamp (carrier) for screw tightening for cylindrical conductors with a diameter between 4 and 30 mm, plates of max. 45 mm, bars flexible distribution of max. 45 mm and fixing points between 20 and 25 mm.



Mod. MPUP CLAMP

Clamps for earthing and short-circuit equipment

Raw Material Features

BODY

High purity aluminum (99.5% or more)

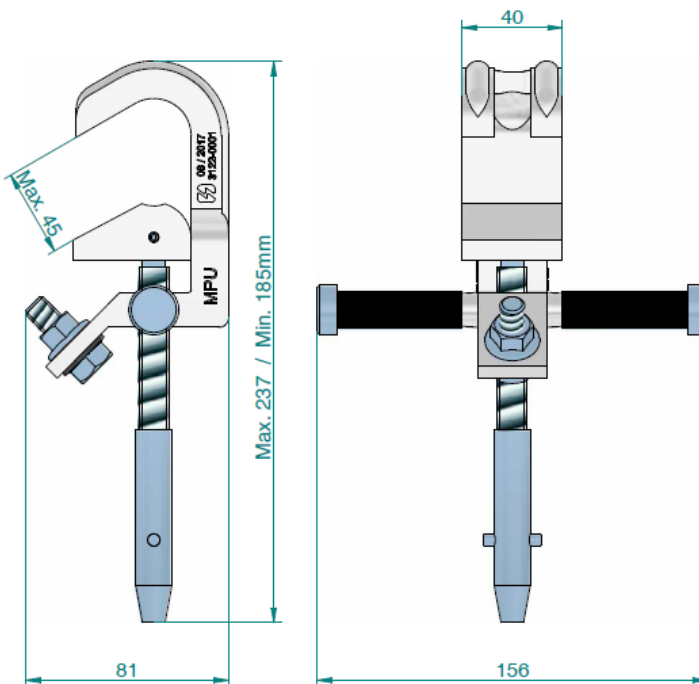
SCREWS

Steel

Certified

Performed tests (complete grounding equipment) under the **IEC 61230** standard.

Technical Planes



Datos sujetos a cambios
2017, Mayo 2

Versión: R2-7.2 COM01

© 2017 Sofamel SLU
Todos los derechos reservados.

Las especificaciones están sujetas a cambios sin previo aviso.