

sofamel

Product Technical Specifications

Mod. MPUB CLAMP

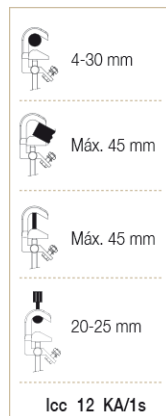
Clamps for earthing and short-circuit equipment

Functionality

The main objective of the grounding clamps is to ensure good connectivity between the voltage lines in discharge and the grounding connection.

Product Features

The MPU clamp is fixed to the uncovered conductor by screw tightening. Designed for cylindrical conductors with a diameter between 4 and 30 mm, plates of max. 45 mm, flexible bus bars max. 45 mm and fixing points between 20 and 25 mm.





Mod. MPUB CLAMP

Clamps for earthing and short-circuit equipment

Raw Material Features

BODY

High purity aluminum (99.5% or more)

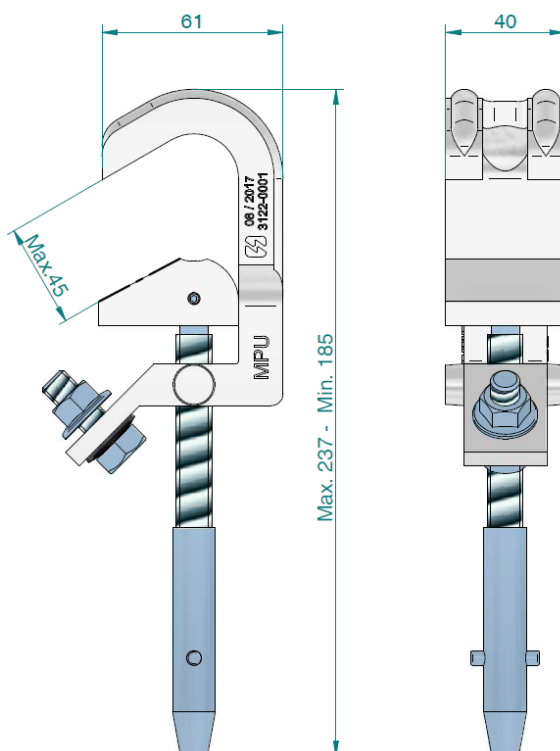
SCREWS

Steel

Certified

Performed tests (complete grounding equipment) under the **IEC 61230** standard.

Technical planes



Datos sujetos a cambios
2017, Mayo 2

Versión: R2-7.2 COM01

© 2017 Sofamel SLU
Todos los derechos reservados.

Las especificaciones están sujetas a cambios sin previo aviso.