

sofamel



Product Technical Specifications

Model SCF/BB

Photovoltaic battery terminals

Product Features

Set of 2 brass terminals to connect the cable to the battery.
It includes a positive terminal and a negative terminal.

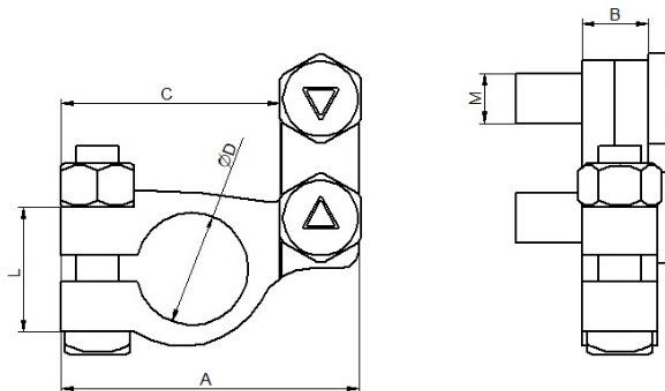
Minimum cable section: 16 mm²
Maximum cable cross-section: 50 mm²

* Possibility of using other cable cross-sections, using terminals.

Weight of the pair of terminals: 156 g



Dimensions:



Code	Ref.	Cable Section		Dimensions (mm)						
		Min.	Max.	A	B	C	ØD -	ØD +	L	M
501060	SCF/BB	16	50	45	10	33	17	18	19	7,5

Datos sujetos a cambios
December 20, 2022

© 2017 Sofamel SLU
Todos los derechos reservados.

Versión: R2-7.2 COM01 Las especificaciones están sujetas a cambios sin previo aviso.



Thomas Alva Edison, 16-17 - Pol. Industrial Plans d'Arau - 08787 La Pobla de Claramunt (Barcelona) - Spain
Tel. +34 93 808 79 80 - Info@sofamel.es
www.sofamel.com