

sofamel

Product Technical Specifications

Mod. BUS

Polyamide one pole trip block



Functionality

BUS strip block manufactured from 6.6 auto-extinguishing polyamide according to CE Directive. All terminals are linkable between them and are suitable for connections and panel boards applications.

Product Characteristics:



Materials: Copper

Specific weight in gr/cm: 3 8.95

Conductivity at 20oC, at Siemens x m/mm²: 58.14

Resistance at 20oC, ohms x mm²/m: 0.0172

Temperature coefficient: 0.0039

Elasticity module, in Kg/ mm²: 9000

Tensile strength, in Kg/ mm²: 22 ... 28

Elongation at breakage, in %: 0.5

Polyamide Envelope (HALOGEN FREE)

Abbreviated term: PA6

Dielectric constant at 1MHz: 3.1

Volumetric resistivity, in Ohm x cm: 6.0x10¹⁵

Dissipation factor at 1MHz: 0.03



Mod. BUS

Polyamide one pole trip block

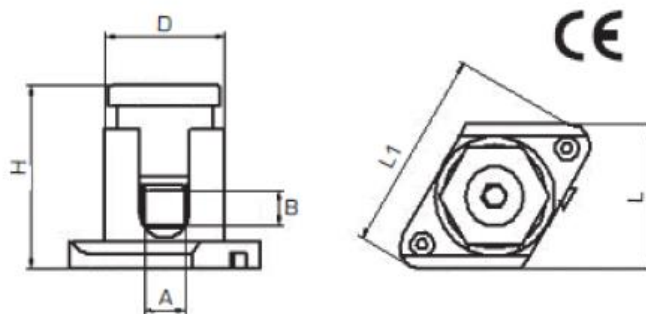
Certificates

Complies with the requirements of the Low Voltage Directive 2014/35/UE (**CE marked**).

AND ACCORDING TO THE STANDARD **UNE-EN 60998-1:2005**: Connecting devices for low-voltage circuits for household and similar purposes -- Part 1: General requirements.

AND **UNE-EN 60998-2-1:2005**: Connecting devices for low-voltage circuits for household and similar purposes -- Part 2-1: Particular requirements for connecting devices as separate entities with screw-type clamping units

Dimensions



Código	Ref.	Sección (mm ²)	Dimensiones (mm)					
			A	B	D	H	L	L1
233130	BUS-10/16	10/16	6,5	10,0	25,0	40,0	33,0	48,0
233150	BUS-25/35	25/35	8,5	12,0	25,0	43,0	33,0	48,0
233160	BUS-50	50	10,0	14,5	31,5	52,0	40,0	58,0
233170	BUS-70	70	12,0	26,0	38,0	68,0	47,0	69,0
233180	BUS-95	95	15,5	30,0	45,0	85,0	51,0	83,0
233190	BUS-120	120	14,0	34,0	48,0	61,0	54,0	83,0
233200	BUS-150	150	21,0	34,0	52,0	80,0	73,5	122,0

Datos sujetos a cambios
2020, Mayo 21

© 2017 Sofamel SLU
Todos los derechos reservados.

Versión: R2-7.2 COM01

Las especificaciones están sujetas a cambios sin previo aviso.