

Product Technical Specifications

Model APB BIMETALLIC SPLIT BOLT CONNECTOR



Product features

APC split bolt connectors are made of brass with a coppered surface finish to improve electrical contact.

They are used for Cu-Cu junctions and shunts on underground connections.

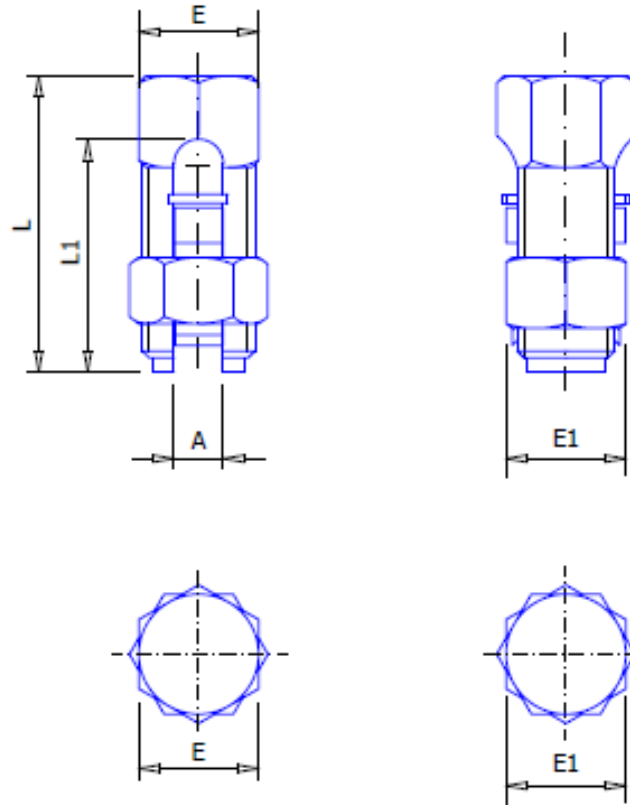
Mechanical characteristics

- **The Material:** Tinned plated brass
- Specific weight in gr/cm³ 8,50
- Conductivity at 20°C, in Siemens x m/mm² 12,5 x 10⁶
- Resistivity at 20°C, in Ohm x mm²/m 0,07..0,09
- Surface treatment: Tin plated (4 μm. minimum)

Model APB

BIMETALLIC SPLIT BOLT CONNECTOR

Dimensions and sections



REFERENCIA	L	L1	A	E	E1
APB-25/25	42,0	33,0	7,2	17,0	22,0
APB-35/35	42,0	33,0	8,5	16,0	22,0
APB-50/50	46,0	37,0	9,5	18,0	23,0
APB-70/70	49,0	41,5	10,5	20,0	25,5
APB-120/120	60,0	50,0	15,0	25,5	30,
APB-240/240	76,0	68,0	22,0	36,0	41,0

Datos sujetos a cambios
2020, Mayo 14

© 2017 Sofamel SLU
Todos los derechos reservados.

Versión: R2-7.2 COM01

Las especificaciones están sujetas a cambios sin previo aviso.