

sofamel

Product Technical Specifications

Mod. TGT142

Reinforced earthing rod clamp



Functionality

To connect between the grounding electrodes and the conductor.

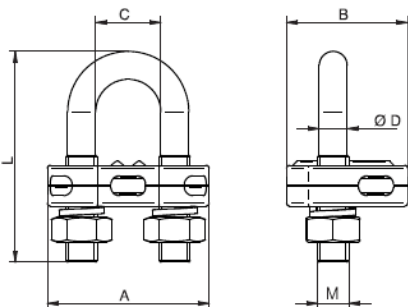
Product Features

Grounding clamps are made of brass galvanized. The thickness of their parts makes the cable connection safer and more durable. For rods up to 18.6 mm.

Certificates

Test for Corrosion resistance following point 8.2.4 of Standard **UNE 202006:2010**.

Dimensions



Código	Ref.	Cable Sección		Dimensiones (mm)					
		Min.	Máx.	A	B	C	ØD	L	M
TGT142 RF	Grapa de puesta a tierra reforzada	35	150	52	39	21	9	65	M10

Datos sujetos a cambios
2020, Mayo 20

© 2017 Sofamel SLU
Todos los derechos reservados.

Versión: R2-7.2 COM01

Las especificaciones están sujetas a cambios sin previo aviso.


sofamel

Thomas Alva Edison, 16-17 - Pol. Industrial Plans d'Arau - 08787 La Pobla de Claramunt (Barcelona) - Spain
Tel. +34 93 808 79 80 - Info@sofamel.es
www.sofamel.com