

sofamel

Product Technical Specifications

Mod. TPA/D

Bolt-fastened tinplated mechanical clamp

Product features

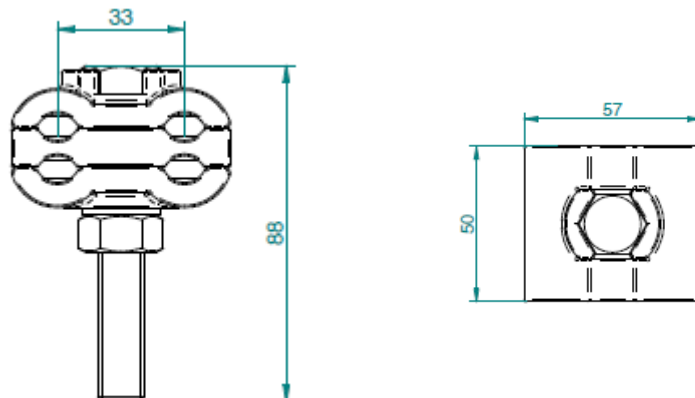
The TPA clamp are made of aluminum alloy. Screws in stainless steel M12.

Certificates

Acceptance criteria based on test requirements described in IEC 61238 STANDARD Compression and mechanical connectors for power cables.



Section and dimensions



Datos sujetos a cambios
2020, Mayo 14

Versión: R2-7.2 COM01

© 2017 Sofamel SLU
Todos los derechos reservados.

Las especificaciones están sujetas a cambios sin previo aviso.