

sofamel

Product Technical Specifications

Model SCF/FUSE

Fuse holder, MC4 type for 1000V

Functionality

SCF/FUSE-1000V, female-male.

Integrated fuse of 15A, 20A and 30A in MC4 fuse holder, watertight. It is specifically designed for the protection of photovoltaic strings.

Manufactured with fireproof material, excellent resistance to aging and UV rays. The waterproof ring on the connection is perfect for sealing water and dust ingress to prevent corrosion.



Product Features

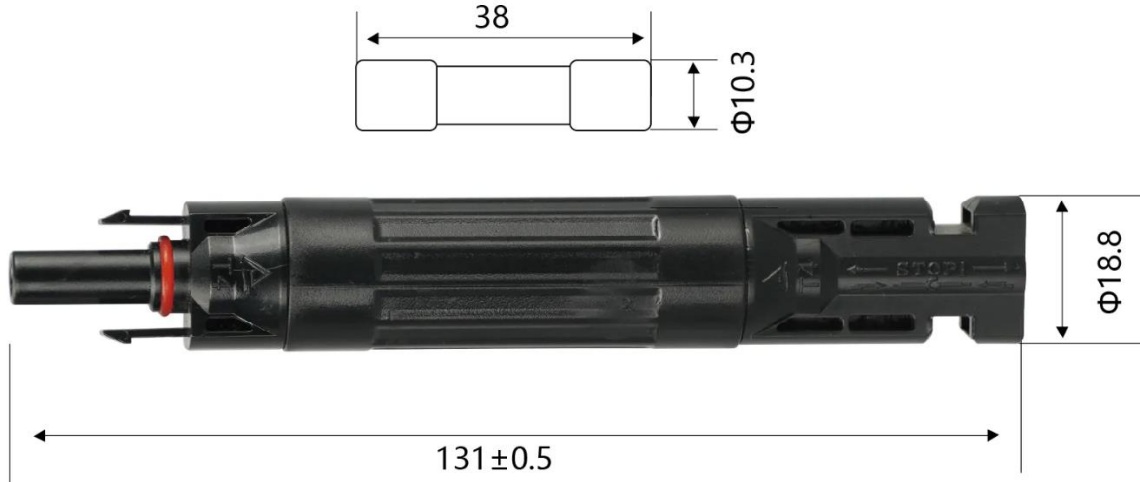
- Insulation material: PPO/PC
- Contact material: copper, tin-plated
- Standard: MC4 compatible
- Rated current: 15A, 20A or 30A depending on the model
- Rated voltage: 1000 V
- Contact resistance: $\leq 1\text{m}\Omega$
- Ambient temperature: $-40^{\circ}\text{C} \sim +90^{\circ}\text{C}$
- Maximum temperature: $+105^{\circ}\text{C}$
- Flammability: UL94-V0
- Waterproof class: IP67, suitable for outdoor environment.
- Certification: **CE / ROHS / UKCA**
- Quick and easy conductor connection
- Suitable for cables: 2.5mm², 4mm² and 6mm².



Model SCF/FUSE

Fuse holder, MC4 type for 1000V

Dimensions:



Certificates

UNE-EN IEC 60068-2-52:2018: Environmental tests. Part 2: Tests. Kb test: salt spray, cyclic test.

UL 94 on the flammability of plastics.

Compliant with EU Directive **2002/95/EC (RoHS)** and **CE** marking.

