

sofamel

Product Technical Specifications

Model

SCF/D-2TL-1500V

SCF/D-3TL-1500V

MC4-type branch connectors with hose

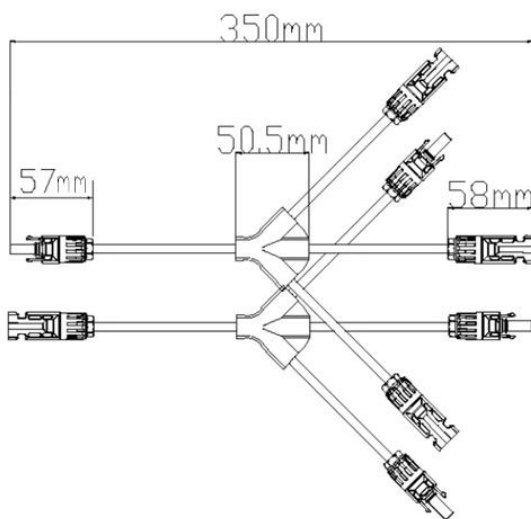


Functionality

MC4 connectors, male and female, are a simple way to connect two solar cables. This type of connectors are used to connect strings of solar panels or to join extensions.

The flexible SCF/D-TL connectors are the perfect complement to make a parallel connection of up to 2 solar panels quickly and easily. Thanks to their standard MC4 connector terminals we can make a safe and durable connection.

The SCF/D-TL flexible connectors guarantee the tightness of the connection thanks to their safety lock.



SCF/D-2TL-1500V connectors are suitable for 2-to-1, 1500 V insulation bonding.

SCF/D-3TL-1500V connectors are suitable for 3-to-1, 1500 V insulation bonding.



Model

SCF/D-2TL-1500V

SCF/D-3TL-1500V

MC4-type branch connectors with hose

Product Features

SCF/D-2TL connectors

- Quick and easy conductor connection
- “Y” type connector with two inputs and one output
- Insulation material: PPO
- Contact material: Tin-plated copper
- Cable material: 4 mm² photovoltaic cable
- Length: 30 cm
- Standard: MC4 compatible
- Dust-proof, waterproof, anti-aging, UV-resistant
- Rated current: 30A/50A
- Rated voltage: 1000V
- Safety level: Class 2
- Certificate: **CE / ROHS**

SCF/D-3TL connectors

- Quick and easy conductor connection
- “Y” type connector with three inputs and one output
- Insulation material: PPO
- Contact material: Tin-plated copper
- Cable material: 4 mm² photovoltaic cable
- Length: 35 cm
- Standard: MC4 compatible
- Dust-proof, waterproof, anti-aging, UV-resistant
- Rated current: 30A/50A
- Rated voltage: 1000V
- Safety level: Class 2
- Certificate: **CE / ROHS**

Certificates

Complies with **EN 50521:2008/A1:2012** - Connectors for photovoltaic systems - Safety requirements and tests.

Complies with EU Directive **2002/95/EC (RoHS)**, **TUV Rheinland** and **CE** marking.

