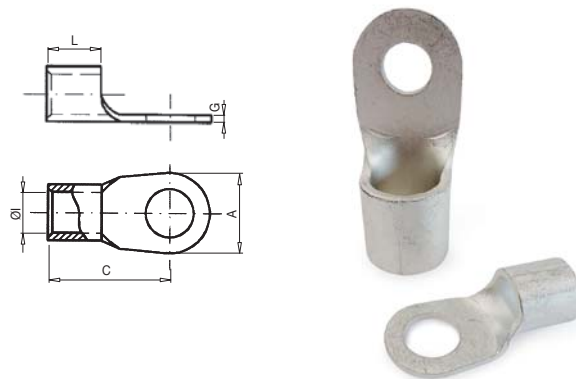


## 10112 TD

### Terminal soldado de cobre

Os terminais TD são fabricados com fita de cobre soldada e apresentam um acabamento superficial estanhado que protege contra a oxidação. O seu design plano e compacto torna-os ideais para instalações em espaços reduzidos, especialmente em quadros elétricos e equipamentos industriais.

De acordo com a norma DIN 46234.



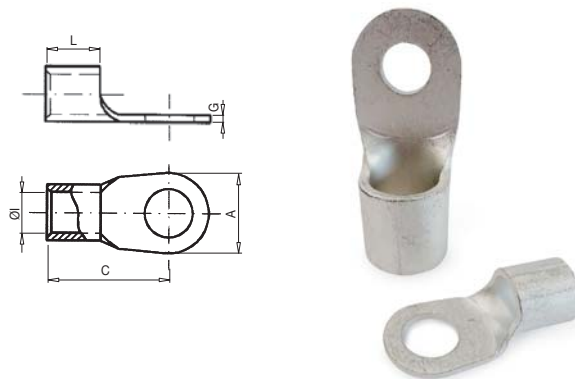
Código	Ref.	Secção (mm <sup>2</sup> )		Dimensões (mm)					Kg x 100	Saco	Caixa
				ØI	L	A	C	G			
020100	TD-1,5/3	1,5	3	1,6	5,0	6,0	11,0	0,8	0,055	100	4000
020110	TD-1,5/4		4			8,0	12,0		0,070	100	3500
020120	TD-1,5/5		5			10,0	13,0		0,084	100	3000
020130	TD-2,5/3	2,5	3	2,3	5,0	6,0	11,0	0,8	0,064	100	3000
020140	TD-2,5/4		4			8,0	12,0		0,077	100	3000
020150	TD-2,5/5		5			10,0	14,0		0,080	100	2000
020160	TD-2,5/6		6			11,0	16,0		0,110	100	2000
020170	TD-2,5/8	8	14,0	17,0	0,135	100	2000				
020180	TD-6/4	6	4	3,6	6,0	8,0	14,0	1,0	0,139	100	800
020190	TD-6/5		5			10,0	15,0		0,157	100	800
020200	TD-6/6		6			11,0	16,0		0,168	100	800
020210	TD-6/8		8			14,0	19,0		0,213	100	800
020220	TD-6/10		10			18,0	21,0		0,279	100	800
020230	TD-10/5	10	5	4,5	8,0	11,0	16,0	1,1	0,229	100	600
020240	TD-10/6		6			11,0	17,0		0,240	100	600
020250	TD-10/8		8			14,0	20,0		0,290	100	600
020260	TD-10/10		10			18,0	21,0		0,349	100	500
020270	TD-10/12		12			22,0	23,0		0,414	100	400
020280	TD-16/5	16	5	5,8	10,0	10,0	20,0	1,2	0,406	100	600
020290	TD-16/6		6			11,0	20,0		0,381	100	600
020300	TD-16/8		8			14,0	22,0		0,425	100	600
020310	TD-16/10		10			18,0	24,0		0,502	100	500
020320	TD-16/12		12			22,0	26,0		0,600	100	400
020330	TD-25/6	25	6	7,5	11,0	12,0	25,0	1,5	1,400	50	300
020340	TD-25/8		8			16,0	25,0		1,480	50	300
020350	TD-25/10		10			18,0	26,0		1,560	50	300
020360	TD-25/12		12			22,0	31,0		1,920	50	200
020370	TD-25/16		16			28,0	35,0		2,320	50	200
020380	TD-35/6		35			6	9,0		12,0	15,0	26,0
020390	TD-35/8	8		26,0	26,0	1,920		50		200	
020400	TD-35/10	10		18,0	27,0	2,040		50		200	
020410	TD-35/12	12		22,0	31,0	2,360		50		200	
020420	TD-35/16	16		28,0	36,0	2,880		50		200	

## 10112 TD

### Terminal soldado de cobre

Os terminais TD são fabricados com fita de cobre soldada e apresentam um acabamento superficial estanhado que protege contra a oxidação. O seu design plano e compacto torna-os ideais para instalações em espaços reduzidos, especialmente em quadros elétricos e equipamentos industriais.

De acordo com a norma DIN 46234.



Código	Ref.	Secção (mm <sup>2</sup> )		Dimensões (mm)					Kg x 100	Saco	Caixa
				ØI	L	A	C	G			
020430	TD-50/6	50	6	11,0	16,0	18,0	34,0	1,8	1,760	25	150
020440	TD-50/8		8			18,0	34,0		1,720	25	150
020450	TD-50/10		10			18,0	34,0		1,680	25	150
020460	TD-50/12		12			22,0	36,0		1,840	25	150
020470	TD-50/16		16			28,0	40,0		2,120	25	100
020480	TD-70/6	70	6	13,0	18,0	22,0	38,0	2,0	2,600	10	80
020490	TD-70/8		8			22,0	38,0		2,600	10	80
020500	TD-70/10		10			22,0	38,0		2,600	10	80
020510	TD-70/12		12			22,0	38,0		2,600	10	80
020520	TD-70/16		16			22,0	38,0		2,600	10	80
020530	TD-95/8	95	8	15,0	20	24,0	42,0	2,5	4,100	10	60
020540	TD-95/10		10			24,0	42,0		4,100	10	60
020550	TD-95/12		12			24,0	42,0		4,000	10	60
020560	TD-95/16		16			28,0	44,0		4,100	10	60
020570	TD-120/8		120			8	16,5		22	24,0	44,0
020580	TD-120/10	10		24,0	44,0	6,200		10		60	
020590	TD-120/12	12		24,0	44,0	5,400		10		60	
020600	TD-120/16	16		28,0	48,0	5,700		10		40	
020610	TD-150/10	150		10	19,0	24		30,0		50,0	3,2
020620	TD-150/12		12	30,0			50,0	8,600	5	25	
020630	TD-150/16		16	30,0			50,0	7,700	5	20	
020640	TD-185/10		185	10			21,0	28	36,0	50,0	
020650	TD-185/12	12		36,0	50,0	10,800			5	20	
020660	TD-185/16	16		36,0	50,0	10,700			5	20	
020670	TD-240/10	240		10	23,5	32			38,0	56,0	4,0
020680	TD-240/12		12	38,0			56,0	15,000	5	20	
020690	TD-240/16		16	38,0			56,0	14,700	5	15	